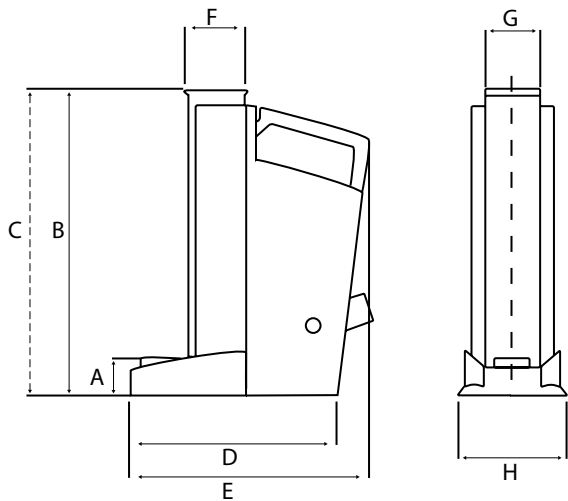
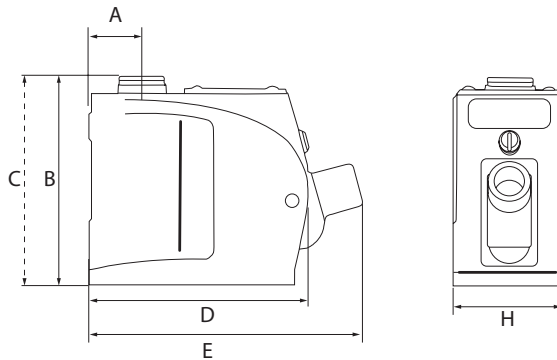


Hydraclaw



Hydramite



Name	Capacity ton	A mm	B mm	C mm	D mm	E mm	F ø mm	G mm	H mm
Hydraclaw	5	41	327	505	219	255	63.5	57	114.3
Hydramite	6.5	132	132	208	140	175	-	-	70