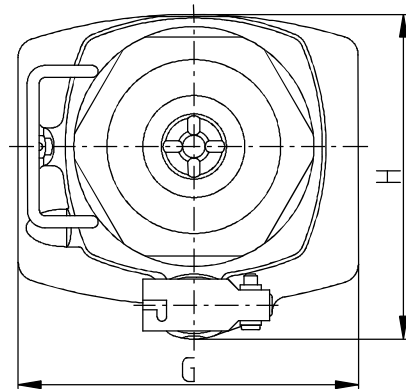


Single piston design



Telescopic piston design

| Name | Capacity ton | Length of lever, mm | Handle | A mm | B mm | C mm | D mm | E mm | F Ømm | G mm | H mm | J mm | Weight (including lever), kg |
|-----------|--------------|---------------------|--------|------|------|------|------|------|-------|------|-------|------|------------------------------|
| H20-1 | 2 | 345 | --- | 165 | 102 | 50 | 317 | --- | 25 | 100 | 108 | 48 | 2,8 |
| H40-1 | 4 | 450 | --- | 180 | 116 | 70 | 366 | --- | 27,5 | 110 | 116 | 60 | 4 |
| H60-1 | 6 | 450 | --- | 195 | 127 | 70 | 392 | --- | 31,5 | 115 | 123 | 70 | 5 |
| H80-1 | 8 | 600 | --- | 200 | 130 | 70 | 400 | --- | 34,5 | 125 | 131 | 75 | 6,2 |
| H80-300-1 | 8 | 600 | --- | 300 | 220 | 80 | 600 | --- | 43,5 | 145 | 145,5 | 89 | 9,9 |
| H100-1 | 10 | 600 | --- | 220 | 140 | 70 | 430 | --- | 34,5 | 135 | 138 | 82 | 7,3 |
| H120-1 | 12 | 600 | --- | 220 | 140 | 80 | 440 | --- | 43,5 | 145 | 145,5 | 89 | 8,5 |
| H150-1 | 15 | 600 | * | 225 | 130 | 80 | 435 | --- | 43,5 | 155 | 153,5 | 95 | 9,6 |
| H200-1 | 20 | 600 | * | 240 | 145 | 80 | 465 | --- | 55 | 170 | 170 | 114 | 13,6 |
| H300-1 | 30 | 1240 | * | 280 | 178 | --- | --- | 458 | 62 | 200 | 212 | 140 | 11,5 |

| | | | | | | | | | | | | | |
|---------|----|-----|-----|-----|-----|----|-----|-----|------|-----|-------|-----|------|
| H20T-1 | 2 | 450 | --- | 160 | 187 | 50 | 397 | --- | 25 | 115 | 123 | 70 | 4,1 |
| H40T-1 | 4 | 450 | --- | 175 | 200 | 70 | 445 | --- | 27,5 | 135 | 138 | 82 | 5,9 |
| H60T-1 | 6 | 450 | --- | 175 | 194 | 70 | 439 | --- | 31,5 | 150 | 141,5 | 95 | 7,6 |
| H100T-1 | 10 | 600 | ** | 175 | 187 | 70 | 432 | --- | 34,5 | 180 | 172 | 127 | 11,5 |

| | | | |
|------|--------------------------------|----------|-------|
| 4 | H100T-1 was H100T-187 | 12-08-24 | AN |
| 4 | H20T-1, H40T-1, H60T-1 added | 12-08-24 | AN |
| 4 | H80-300-1 and H300-1 added | 12-08-24 | AN |
| 3 | H100T-187 added | 11-12-16 | AN |
| 3 | H80-300, H20T, H40T withdrawn | 11-12-16 | AN |
| 3 | Redrawn and changed to english | 11-12-16 | AN |
| Pos. | Ändring | Datum | Sign. |

| | | | | | | | |
|---|--|---------------------|--|----------------------|--|------------------------------|--|
| Material | | Ämne/dimension | | Värmebehandling | | Ytbehandling | |
| Tillämpliga måttavvikelser där ej annat anges | | Gjutna det. | | Smältvetsade konstr. | | Ytjämnhet där ej annat anges | |
| Bärrbetade det. enl. SS-ISO-2768-1 | | enl. SS-ISO-8062 | | enl. SMS 723 | | Ra µm | |
| Konstr. | | Ritad | | Datum | | Produkt | |
| HB | | MN | | 06-02-13 | | BOTTLE JACKS | |
| 06-04-06 | | Konstr. godk. | | Skala | | Tolksystem enl. ISO | |
| | | AN | | 1:2 | | Ersätter | |
| | | | | | | Ersatt av | |
| REHOBOT | | DIMENSIONAL DRAWING | | | | | |
| | | B-46981 | | | | | |